

Econo-Line Film Roller Blinds

The cost-effective solution for the business sector



THE PROBLEM

Large-scale façades with the associated large number of windows, in the industrial and business sectors, demand high-quality, but at the same time, economical solutions for solar and glare protection. Often there is a need to equip or retrofit, respectively, the whole face of a building, or even the whole building, with effective solar and glare protection.

The shading facilities should be easily accessible and not be exposed to effects of the weather. Unrestricted views to the outside must be retained. The energy flows, in both directions, through a window must be reduced to

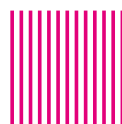
- avoid the extreme build-up of heat,
- prevent glare on the VDU screen,
- attenuate visible light, and
- improve the k-value of the glazing unit.

THE SOLUTION

MULTIFILM Econo-Line roller blinds offer an economical alternative, especially for the industrial and business sectors, where large numbers are involved. This product line distinguishes itself by an attractive design, high quality of workmanship and perfect functionality.

The decisive advantages are:

- Optimal glare protection
- Protection from solar heat
- Unrestricted views to the outside are retained
- Internal installation protects against the effects of the weather
- Cost-effective option when large numbers are involved
- Unobtrusive installation
- Optional electronic control
- A very good improvement in the k-value

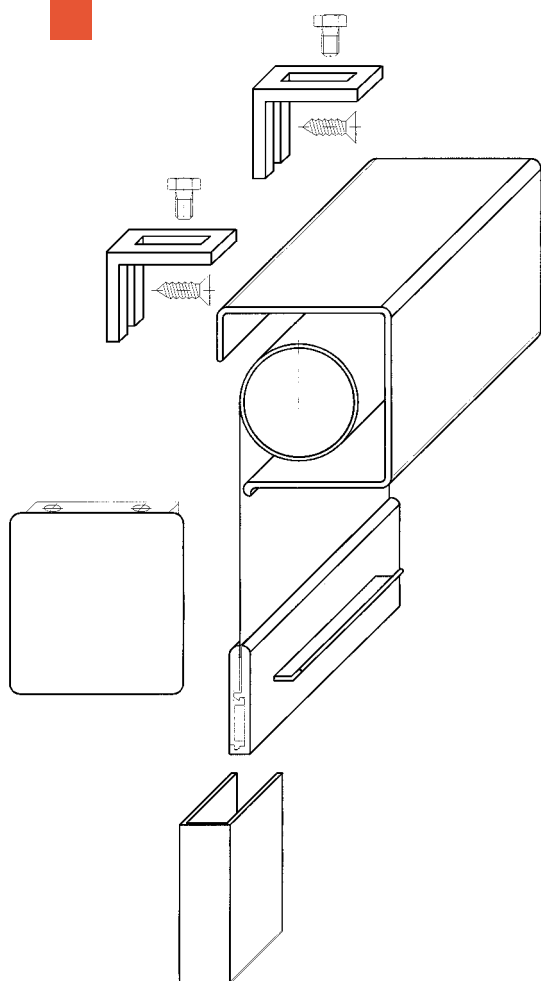


MULTIFILM®

Perfection for windows

Econo-Line Film Roller Blinds

The cost-effective solution for the business sector



This type of roller blind has been especially developed for large scale façades in the industrial and business sectors. Based on the following minor changes it is an outstandingly good value for money alternative when large quantities are involved

The Econo-Line range of products meets the previously described principle characteristics of the MULTIFILM Classic-Line range of products, but with the following differences:

SECTIONS

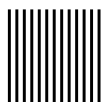
- Only with U 35 lateral guide channels
- The lower ends of the lateral guide channels are not rounded off
- Single piece housings, i.e. without a separate rear panel
- Smooth finished housing surfaces and lateral guide channels

FILMS

- Available film types 10SiSi, 30SiAt, 20SiBc
- The films used are mainly calender embossed; in a single delivery it would be possible to supply a mixture of calender and flat sheet embossed films.

TECHNICAL DESIGN

- Without brushes
- Roller blind housing screws not countersunk
- Maximum draw-out length of 3.400 mm
- Operating options:
 - manual with bead chain
 - motorised
- Fixing with angle brackets



MULTIFILM®

Perfection for windows
are available from: