

Film Roller Blinds

MULTIFLEX type



DESCRIPTION OF THE PRODUCT

MULTIFLEX film material comprises three sections of different light transmission. Depending on the position of the facade, the user may decide whether he wants the material section with the highest light transmission either at the top or bottom of his window. That allows the workplace to be adapted to the density of light desired.

BENEFITS FOR USERS

- Optimal use of the daylight for illumination of the room
- Individual application depending on the position of the building facade.
- Brightness steps from light to dark on the west side, vice versa in the east
- Visual contact to the outside world through all three sections of the film material
- As much light as possible, as much light as necessary
- Saving of energy which would otherwise be required for artificial lighting

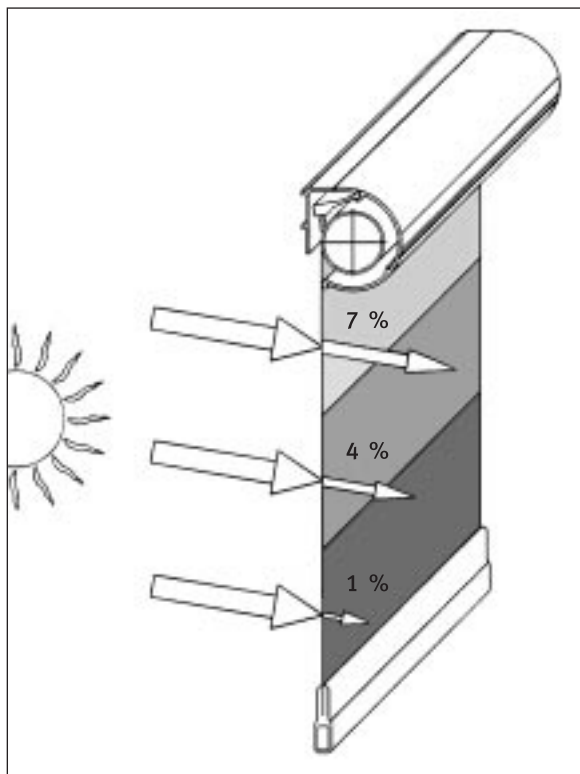


MULTIFILM®

Perfection for windows.

Film Roller Blinds

MULTIFLEX type



APPLICATION

Multiflex material is available as roller blind or vertical blind for tailor-made protection against sun and glare on VDU workstations.

The user of our product may decide whether he wants the brightness steps of the material from light to dark or vice versa depending on the position of his windows to solar radiation.

We recommend to have the dark film material topmost for locations where the sun is high (e.g. south or east facades). Where the sun is low, optimum protection against dazzle and glare will be obtained with the dark section at the bottom (e.g. west facade).

TECHNICAL DATA

	Dark section	Medium section	Light section
Radiation reflectance	87 %	75 %	53 %
Light transmittance	1 %	4 %	7 %
Rejection of total solar energy	96 %	91 %	85 %
UV transmittance	< 1 %	< 1 %	< 1 %
"b" factor	0.05	0.11	0.18

Measured values as specified by the Manufacturers.

The material complies with the requirements of the EU guidelines for VDU workstations.



MULTIFILM®

Perfection for windows.

Please contact:

MULTIFILM Sonnen- und Blendschutz GmbH
 Hohensteiner Str. 30 u. 32 · 09212 Limbach-Oberfrohna
 fon (+49 37 22) 77 05-0 · fax (+49 37 22) 77 05 77
 e-mail: info@multifilm.de · www.multifilm.de