

Film-Façade-Systems for large glazed areas



Over 1,000 Film-Façade-Systems
In the VAN Technology Center (VTC) of Daimler Chrysler
in Stuttgart-Untertürkheim/Germany

THE TASK

- Glare- and sun-control for large glazed areas
- No splitting into small individual sun blinds
- Discreet integration of the mechanical equipment and metal shapes into the façade structure
- Harmonious exterior view of the sun-control system
- Unhindered view to the world outside

THE SOLUTION

- Film-Façade-Systems – the ideal glare control for large glass façade elements
- Very good sunshade: g-value of 12 % (film type SiAto12 plus solar glass)
- One Film-Façade-System instead of several single roller blinds
- Film-Façade-Systems with MULTIWAVE®-pleated film sheets
- Homogenous appearance of the façade due to mildly convex pleating
- High surface stability without crinkling of large film sheets



MULTIFILM®

Perfection for windows.

Film-Façade-Systems for large glazed areas

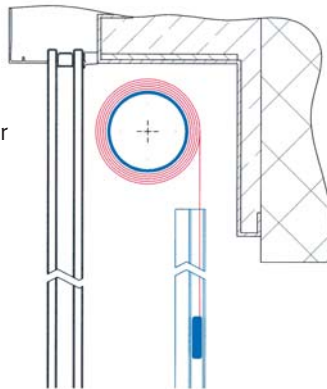


FILM MATERIAL

- Three-layer flat-surface-embossed and MULTIWAVE®-pleated film
- Recommended pleat spacing 80 mm (60 – 100 mm possible)
- Discreet joining of separate film sheets of up to 3 m width by ultrasonic welding
- Extremely thin welding seams of 1-2 mm

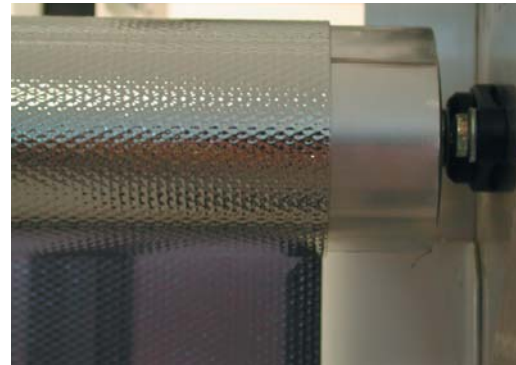
PROFILES

- Film-Façade-System of the roller blind type with stable take-up roller
- Headbox upon request
- Discreet integration into the façade
- Various side-guides available
- Shapes available in any RAL-colour



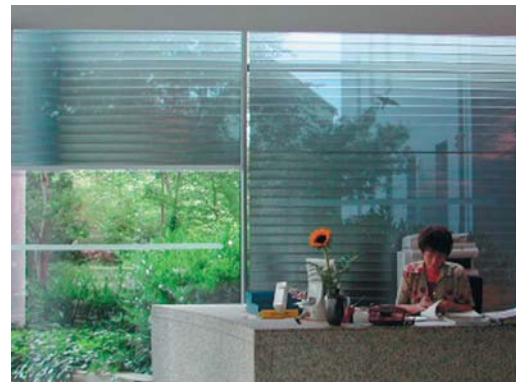
DIMENSIONS

- Max. size:
width: **2,500 mm** (3,000 mm after consulting)
height: **6,000 mm**



OPERATION

- Electric: (very quiet 230-V motor):
various accessories available (radio and infrared remote control, automatic equipment, ...),
connection to the Client's bus control system
- Manual: by crank handle



Film-Façade-Systems (2,490 by 3,100 mm) in the reception hall of LVA Erfurt

In cooperation with



Fraunhofer Institut
Bauphysik
(Institute of Building Physics)



MULTIFILM®

Perfection for windows.

Please contact: MULTIFILM Sonnen- und Blendschutz GmbH
Hohensteiner Str. 30 u. 32 · D-09212 Limbach-Oberfrohna
phone (+49 37 22) 77 05-0 · fax (+49 37 22) 77 05 77
e-mail: info@multifilm.de · www.multifilm.de